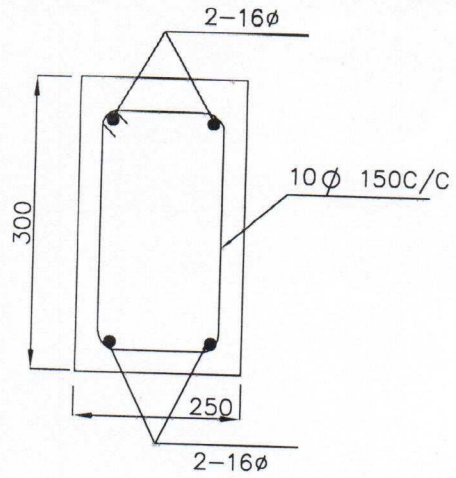


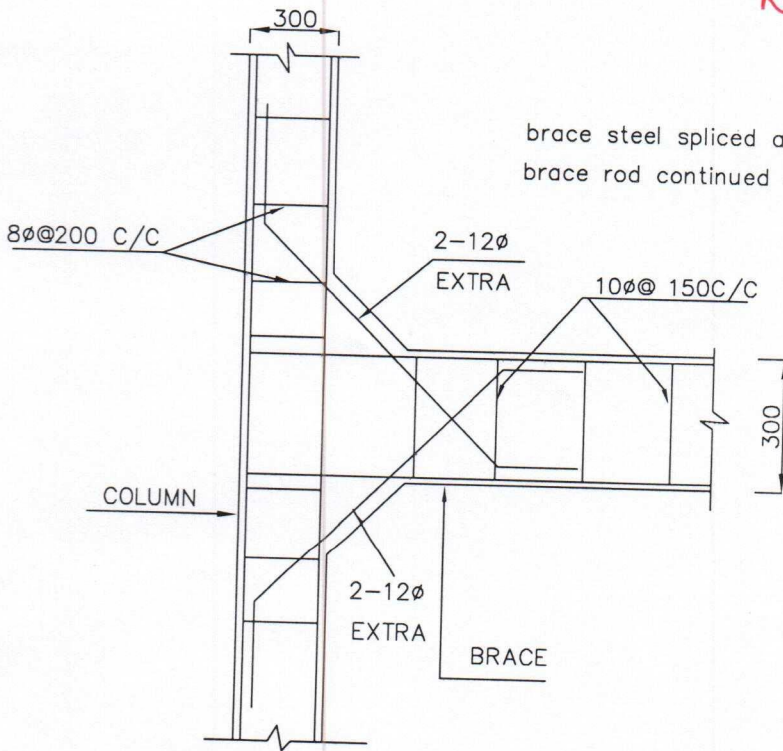
SECTION OF COLUMN



SECTION OF BRACE

NOTE: THIS DRAWING SUPERSEDES THE EARLIER APPROVED DRAWING FOR 15KL OHSR ON 17.04.2017

brace steel spliced at middle section only
brace rod continued at support section

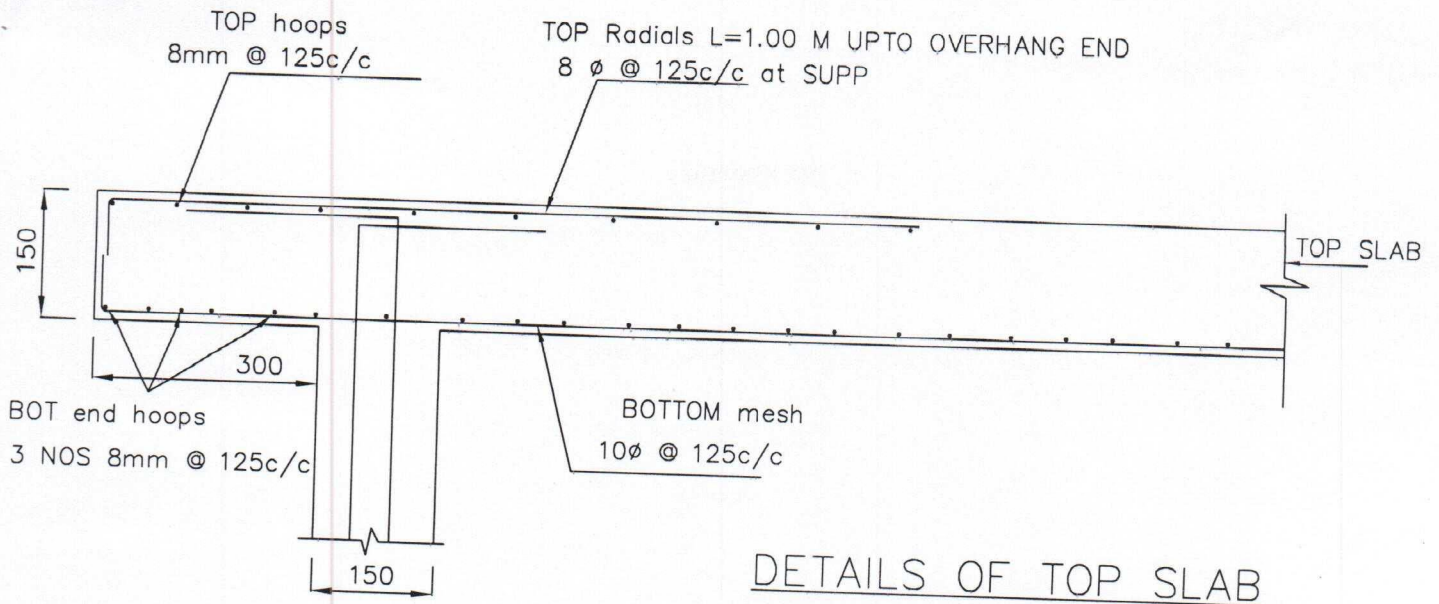


COLUMN BRACE JUNCTION

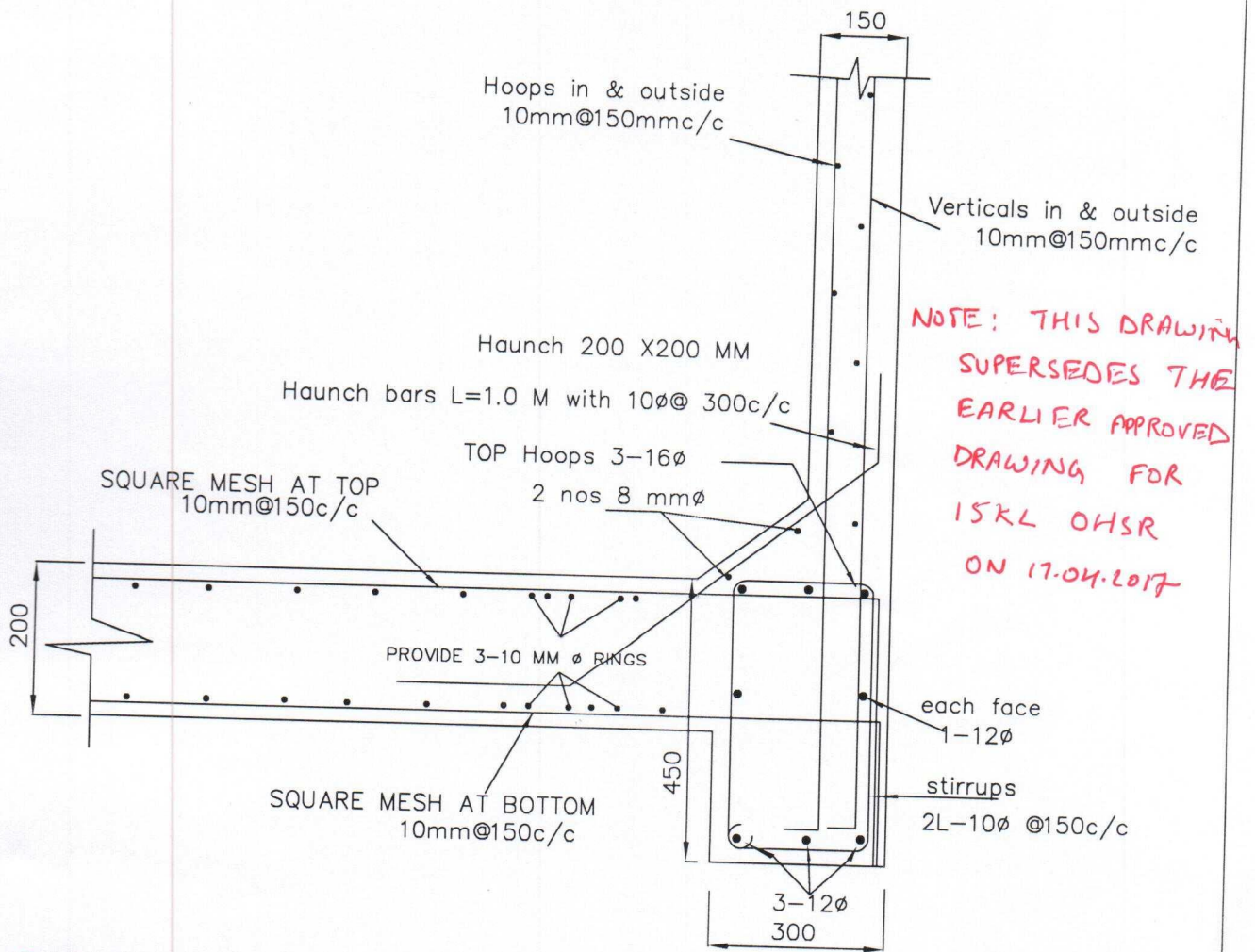
|| APPROVED ||

CE I
CE II
CE III
TDWSP, Hyderabad
16/5
16/5
16/5
16/5
16/5
16/5

Government of Telangana		
Rural Water Supply & Sanitation Department		
Construction of 15 KL capacity OHSR/OHBR 12m staging column type		
Scale: Not to scale	sheet: 2 of 8	REV: 01

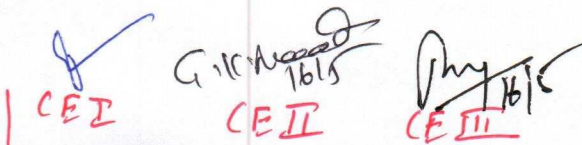
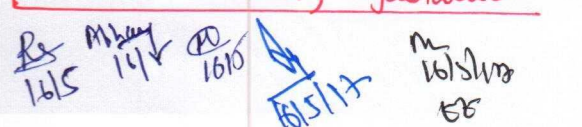


DETAILS OF TOP SLAB

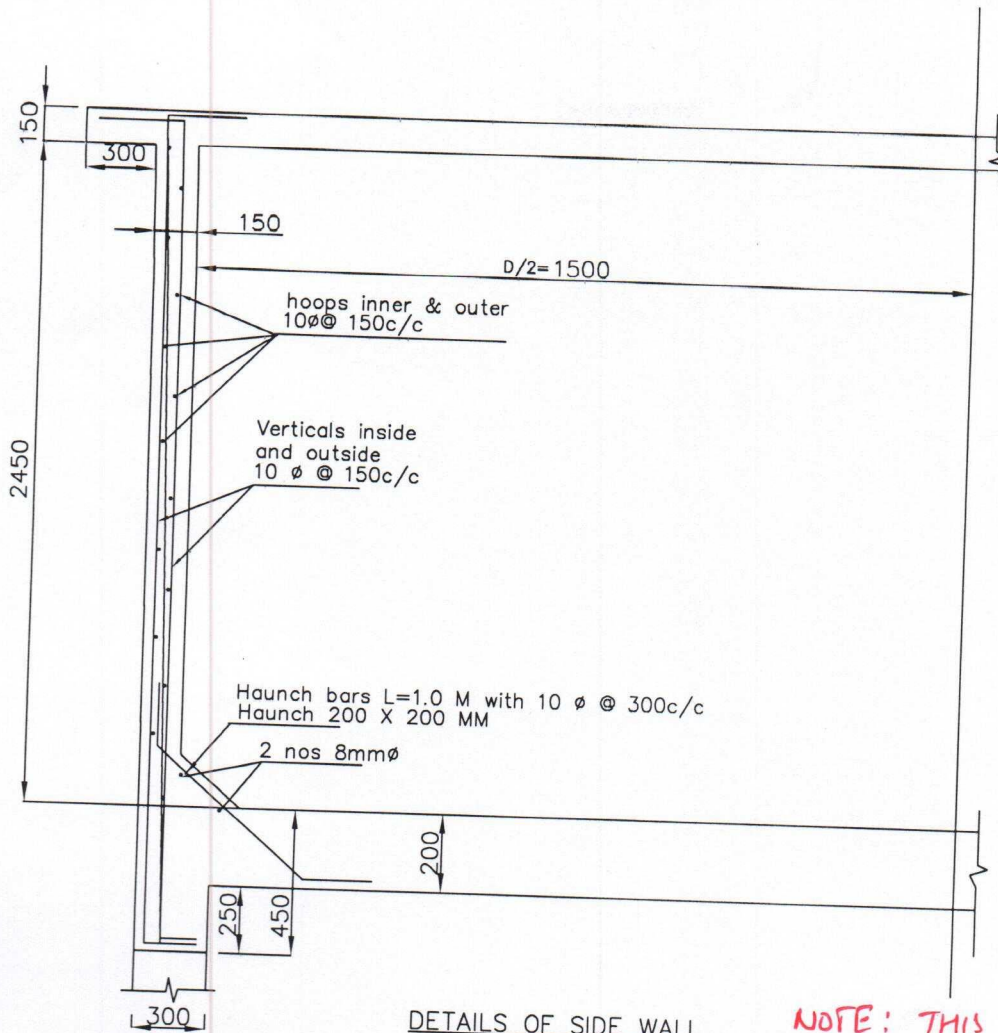


BOTTOM RING BEAM

11 APPROVED 4

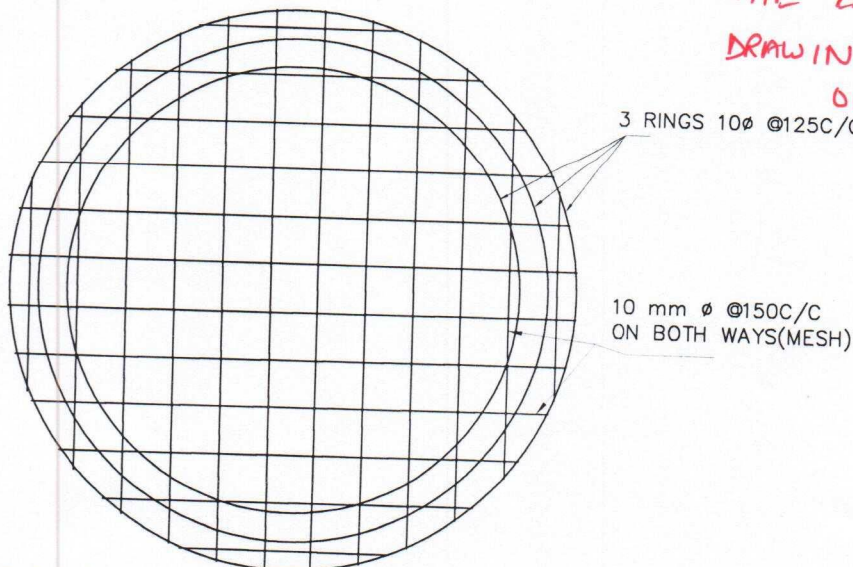

 CE I CE II CE III
 TDWSP, Hyderabad

 16/5/17

Government of Telangana	
Rural Water Supply & Sanitation Department	
Construction of 15 KL capacity OHSR/OHBR 12m staging column type	
Scale: Not to scale	sheet: 3 of 8
REV : 01	



DETAILS OF SIDE WALL

NOTE: THIS DRAWING SUPERSEDES THE EARLIER APPROVED DRAWING FOR 15 KL OHSR ON 17.04.2017



REINFORCEMENT PLAN OF BOTTOM SLAB (FOR TOP AND BOTTOM MATS)

11 APPROVED 11

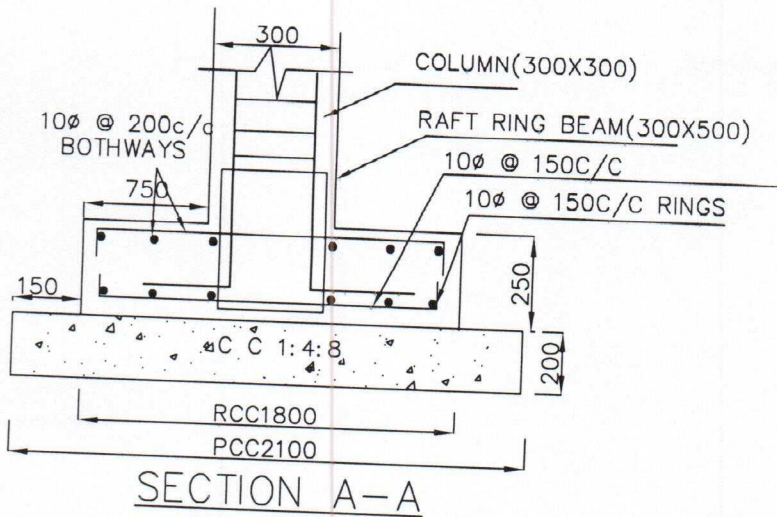
CE I CE II CE III

TDWSP, Hyderabad

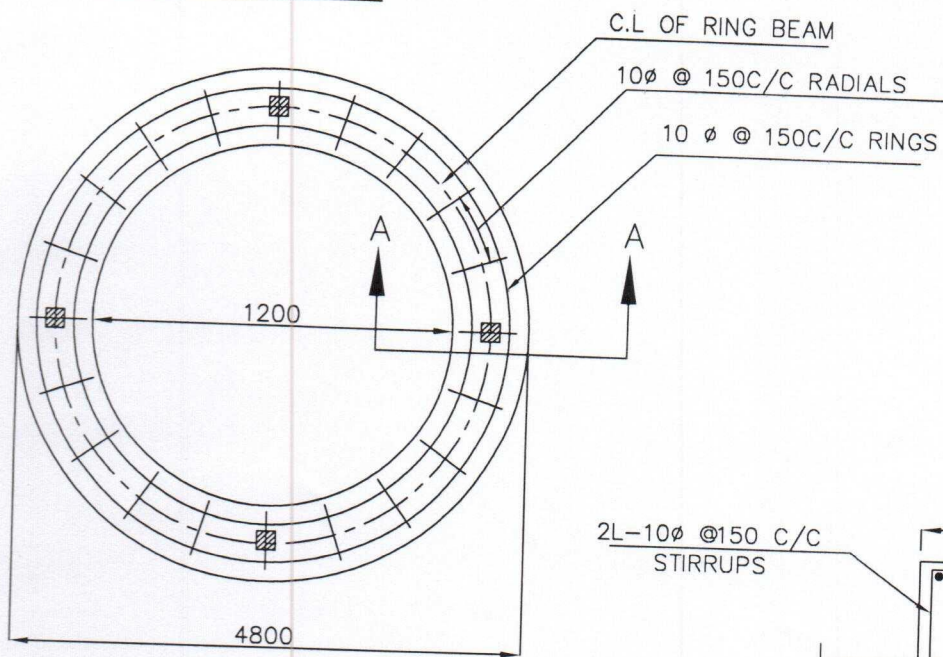
16/5 16/5 16/5

16/5/17 16/5/17

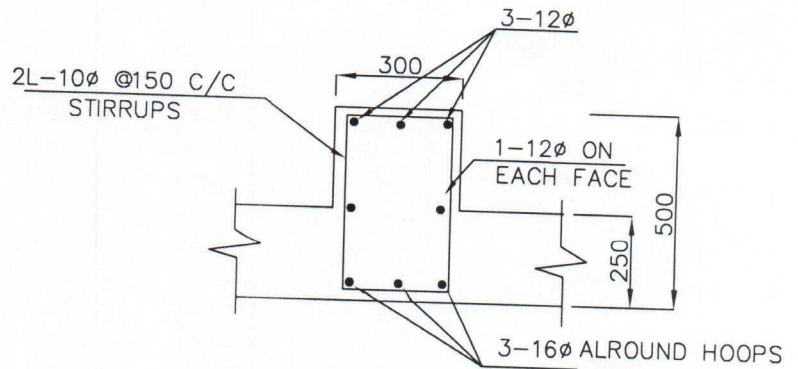
Government of Telangana		
Rural Water Supply & Sanitation Department		
Construction of 15 KL capacity OHSR/OHBR 12m staging column type		
Scale: Not to scale	sheet: 4 of 8	REV : 01



NOTE: THIS DRAWING
 SUPERSEDES THE
 EARLIER APPROVED
 DRAWING FOR 15KL
 OHSR ON 17.04.2017



BOTTOM REINFORCEMENT OF
 RING FOUNDATION
 SBC -7.5T/m²

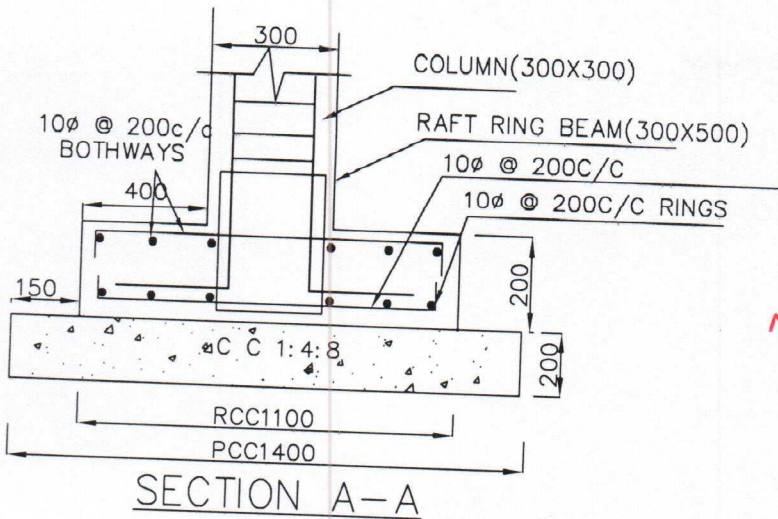


SECTION OF RING RAFT BEAM

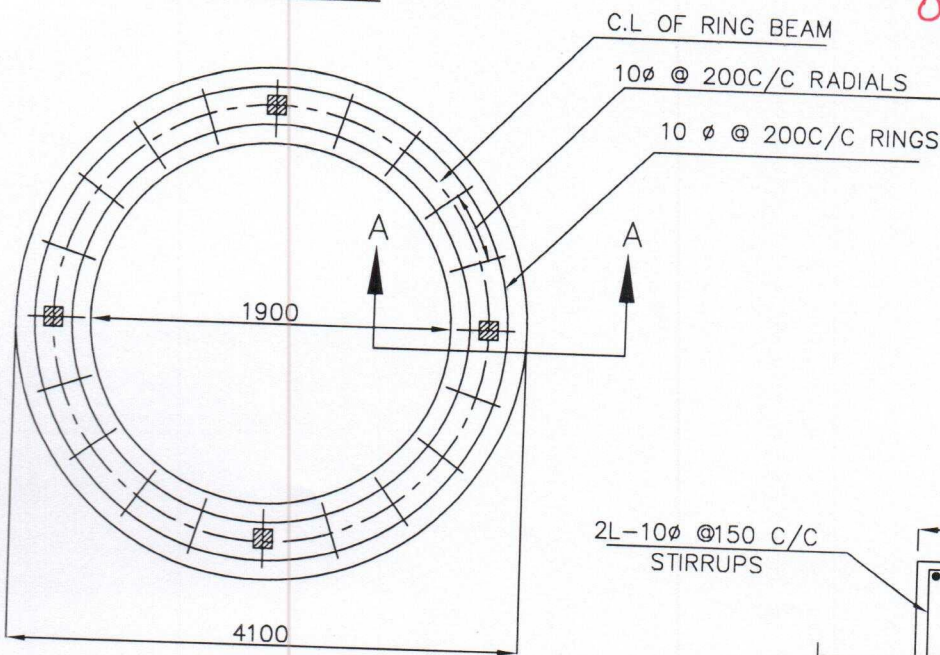
|| APPROVED ||

CE I
 CE II
 CE III
 TDWSP Hyderabad
 16/5
 16/6
 16/10
 16/11/17
 16/6/18
 CE

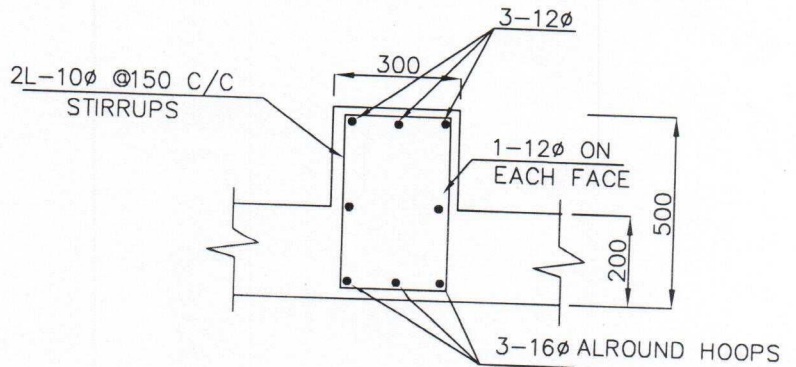
Government of Telangana		
Rural Water Supply & Sanitation Department		
Construction of 15 KL capacity OHSR/OHBR 12m staging column type		
Scale: Not to scale	sheet: 5 of 8	REV: 01



NOTE: THIS DRAWING SUPERSEDES THE EARLIER APPROVED DRAWING FOR 15 KL OHSR ON 17.04.2017



BOTTOM REINFORCEMENT OF RING FOUNDATION
SBC -15T/m²

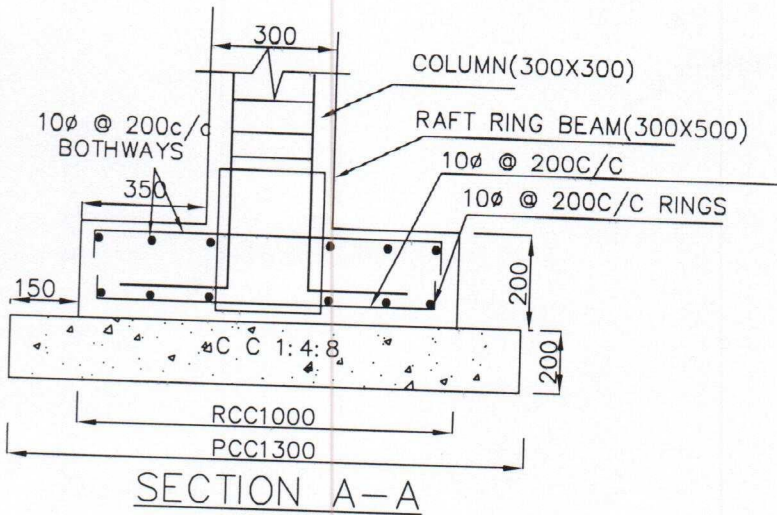


SECTION OF RING RAFT BEAM

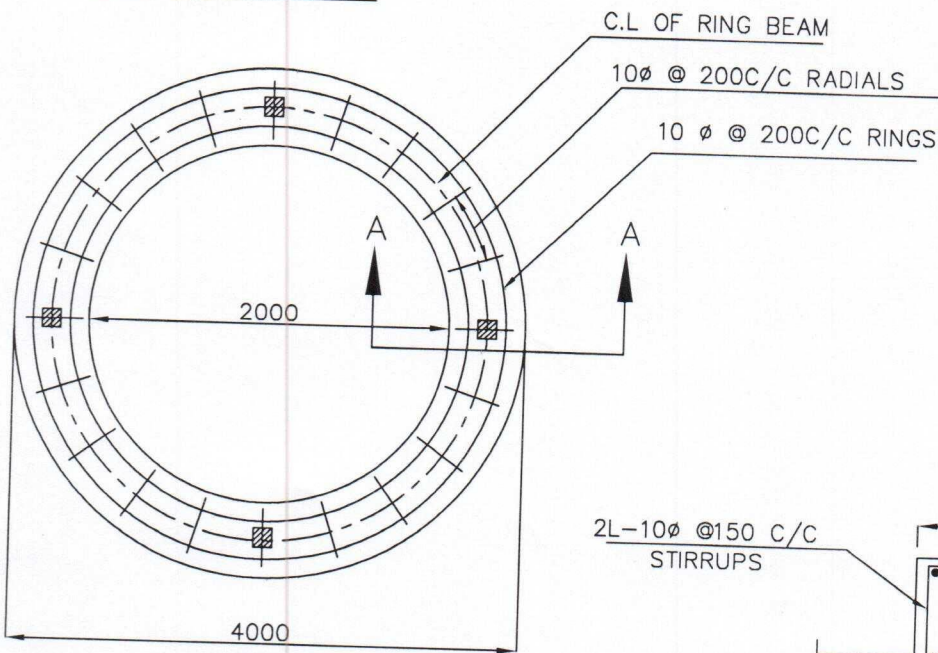
|| APPROVED ||

CE I
 CE II
 CE III
 TDWSP, Hyderabad
 M. 16/5/13
 E.E.

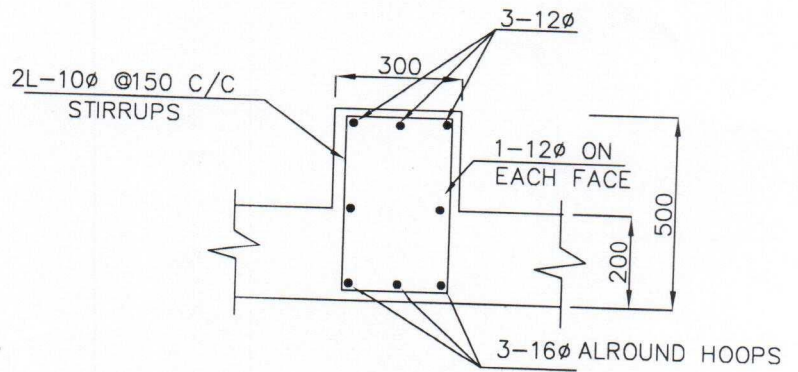
Government of Telangana		
Rural Water Supply & Sanitation Department		
Construction of 15 KL capacity OHSR/OHBR 12m staging column type		
Scale: Not to scale	sheet: 6 of 8	REV: 01



NOTE: THIS DRAWING SUPERSEDES THE EARLIER APPROVED DRAWING FOR 15KL OHSR ON 17.04.2017



BOTTOM REINFORCEMENT OF RING FOUNDATION
SBC -20T/m²

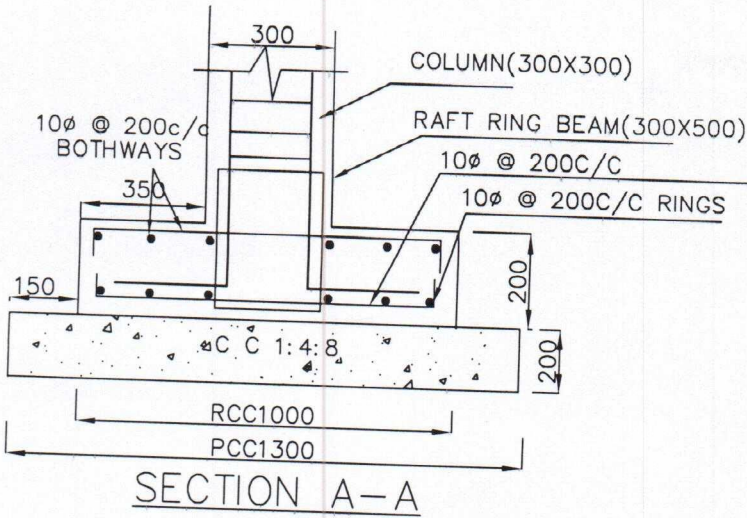


SECTION OF RING RAFT BEAM

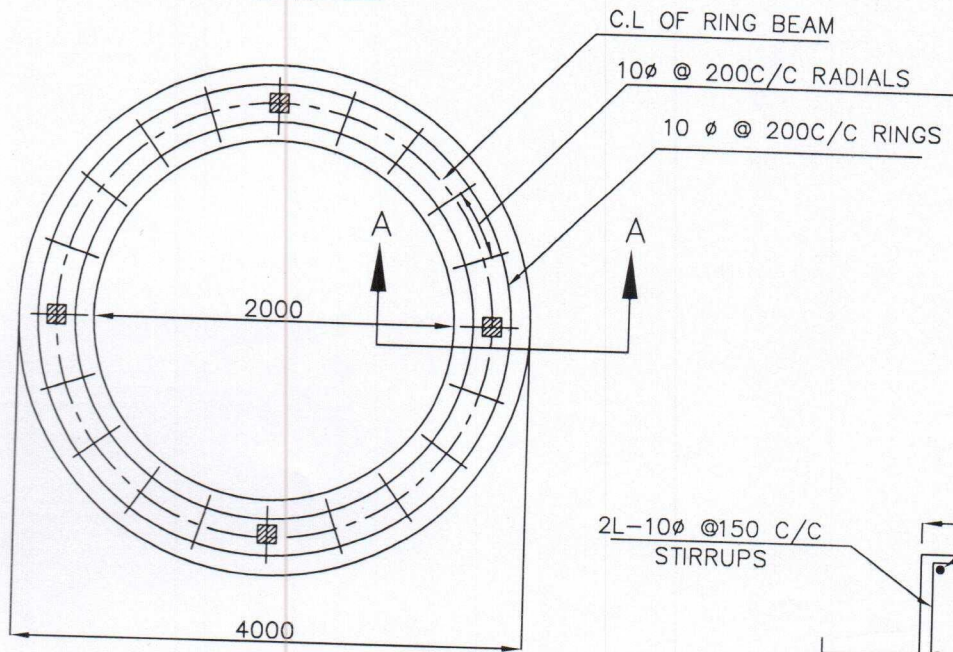
|| APPROVED ||

CE I
 CE II
 CE III
 TDWSP Hyderabad
 16/5
 16/12
 16/10
 16/15/17
 16/15/12
 16/15/12
 16/15/12
 16/15/12

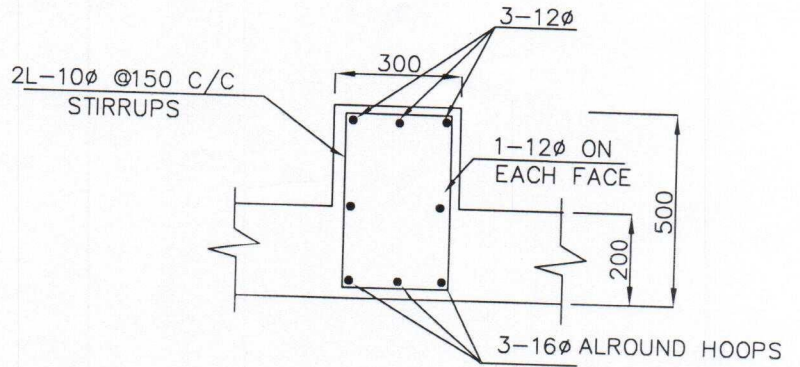
Government of Telangana		
Rural Water Supply & Sanitation Department		
Construction of 15 KL capacity OHSR/OHBR 12m staging column type		
Scale: Not to scale	sheet: 7 of 8	REV: 01



NOTE: THIS DRAWING SUPERSEDES THE EARLIER APPROVED DRAWING FOR 15KL OHSR ON 17.04.2017



BOTTOM REINFORCEMENT OF RING FOUNDATION
SBC - 30T/m²



SECTION OF RING RAFT BEAM

11 APPROVED 11

CE I
 CE II
 CE III
 TDWSP
 Hyderabad
 16/5
 14/17
 16/17
 16/17
 M 16/17
 EE

Government of Telangana		
Rural Water Supply & Sanitation Department		
Construction of 15 KL capacity OHSR/OHBR 12m staging column type		
Scale: Not to scale	sheet: 8 of 8	REV: 01